

Product Data Sheet

FPB33595

Distribution Power Block
335 Amps, 600 Volts (AC/DC)



Wire Range:

Line side: (1) 600kcmil - #2 AWG
 Load Side: (12) #4 - #14 AWG

Electrical Ratings:

- 335A copper wire, 335A aluminum wire
 (Based on NEC Table 310-16, 75°C columns)
- CE Rated Voltage (U_i): 1,000 V AC/DC per IEC 60947-7-1
- 600 Volts AC/DC (Service Equipment according to National Electrical Code, NFPA 70)
- Minimum enclosure size: 16 X 12 X 6
- Factory and Field Wiring

NOTE: Use outside these ratings must be judged in end-use application

Short Circuit Current Ratings (Copper wire only):

Suitable Conductors (kcmil/AWG)		Overcurrent Protection Fuse Required Class/Max Amp Rating						SCCR, RMS SYM Amps	Volts Max
Line	Load	J	T	RK1	RK5	G	CC		
600 - 3/0	4 - 8	600	600	400	100	60	30	100,000	600
2/0 - 2	4 - 12	200	200	200	100	60	30	100,000	600

Line	Load	Overcurrent Protection Circuit Breaker Required			SCCR, RMS SYM Amps	Volts Max
		Mfr	Type	Max Amp		
2/0 - 2	4 - 10	Square D	JDL36250	250	18,000	480
		Square D	JGL36250	250	35,000	480
		Square D	JJL36250	250	65,000	480
		Square D	JLL36250	250	65,000	480
600 - 2	4	Allen Bradley	14OU-K6	400	30,000	480
350 - 2	4 - 8	Allen Bradley	14OU-J6	250	50,000	480
		Allen Bradley	14OU-J0	250	50,000	480

Mechanical Ratings:

- Insulator base temperature: -40°C/F to 125°C (257°F) UL RTI
- Maximum insulator base plate temperature: 130°C (266°F) UL RTI
- Flammability rating of insulator base: UL 94 V-0

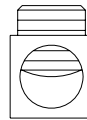
Materials:

- Connector: High conductivity aluminum, tin plated
- Insulator base: Glass filled polycarbonate (thermoplastic)
- Terminal set screws: Steel, nickel plated
- Connector mounting screw and roll pins: Steel, zinc plated
- Insulator base plate: Phenolic Laminate

Agency Approvals:

- UL Listed, File No. QPQS.E309401
- Investigated to UL 1953
- UL 508A Feeder Circuit Terminal Spacing for up to 600 Volts
- CSA Certified, CSA C22.2 No. 158, File No LR 19766
- 600V Rating for Class 6228 01 – Use Groups A, B, C
- CE compliant to IEC 60947-7-1
- RoHS Compliant

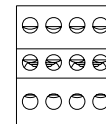
Wire Ranges:



Line Side Wire Range:

Wire Size	Torque		Copper Wire Stranding Classes - Number of Conductors		
	N.m	in. lbs	Solid	Class B	Class C
600 kcmil	42.3	375		1	1
500	42.3	375		1	1
400	42.3	375		1	1
350	42.3	375		1	1
300	42.3	375		1	1
250	42.3	375		1	1
4/0	42.3	375		1	1
3/0	42.3	375		1	1
2/0	42.3	375		1	1
1/0	42.3	375		1	1
1	42.3	375		1	1
2	42.3	375		1	1

Aluminum stranded wire range: 600kcmil – #2 AWG



Load Side Wire Range:

Wire Size	Torque		Copper Wire Stranding Classes - Number of Conductors		
	N.m	In. lbs	Solid	Class B	Class C
4 AWG	4.0	35		1	1
6	4.0	35		1	1
8	4.0	35		1	1
10	4.0	35	1	1	1
12	4.0	35	1	1	1
14	4.0	35	1	1	1

Aluminum stranded wire ranges: #4 – #14 AWG

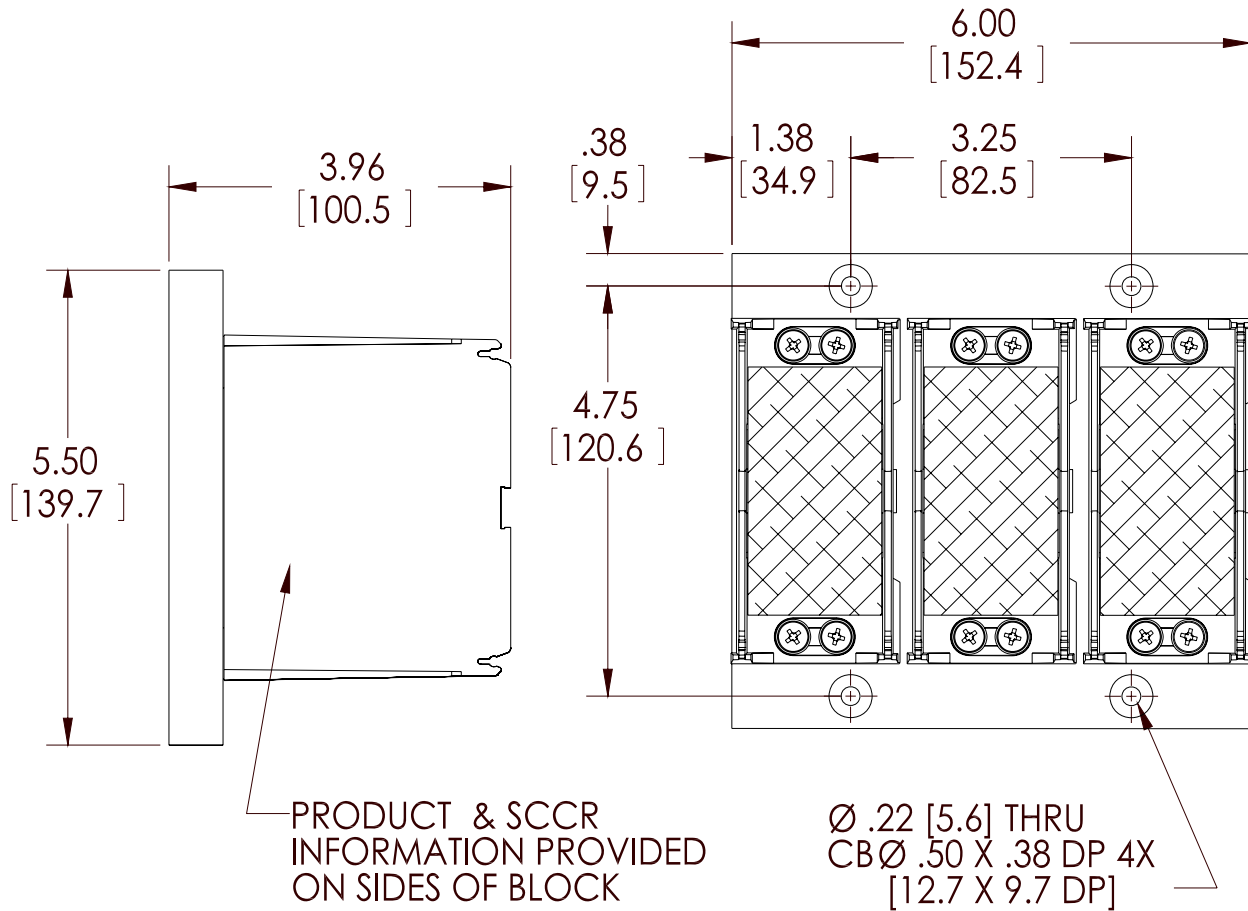
- Wire strip length, line side tap – 1 9/16"
- Wire strip length, load side tap, top row – 1/2", middle row – 11/16", bottom row – 15/16"
- Hex keys needed: 600 kcmil tap – 1/2", #4 tap – 1/8"

Mounting:

- Panel mountable: #10 fastener, torque to 25-30 in. lbs.

Accessories:

- Marker Strips to mark circuits. Printing available. Consult factory.



WWW.MARATHONSP.COM
419-352-8441